



## SUBMITTAL DATA SHEET

Job Name:		Contractor:	
Location:		Distributor:	
Engineer:		Date:	
Submitted To:		Model No:	<b>ES120LVP</b>
Schedule ID:			

Ecosmart Air Specifications	ES120LVP
BTUH Heating @ 180°F E.W.T	131,570
BTUH Heating @ 160°F E.W.T	107,090
BTUH Heating @ 140°F E.W.T	82,730
BTUH Heating @ 120°F E.W.T	58,570
Piping Connections Copper (in)	3/4
DX Cooling Capacity (tons)	3.5 to 5 *
CFM @ 0.5" E.S.P.	2000
Supply Voltage	120/1/60
GPM Flow Rating	5
Cabinet Size W x D x H (in)	24 x 21 x 29
Supply Air Opening W x D (in)	21.8 x 17.8
Side Return Air Opening W x H (in)	18.3 x 14.3
Recommended Filter Size H x D (in)	16 x 20
Shipping Weight (lb)	120
Shipping Dimensions W x D x H (in)	24x 24 x 30.5
HP (fan)	1
FLA (amps)	13.1
MCA (amps)	15.88
MOP (amps)	27

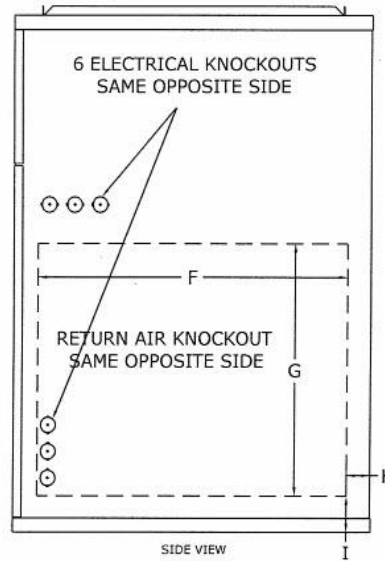
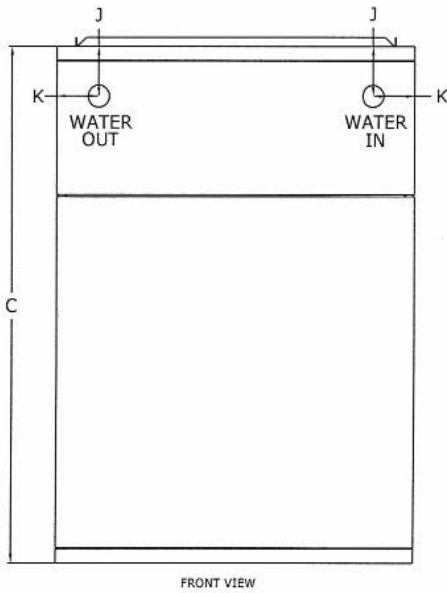
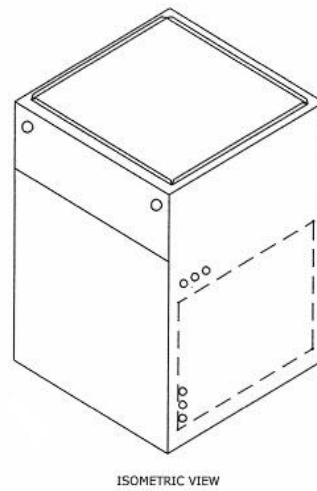
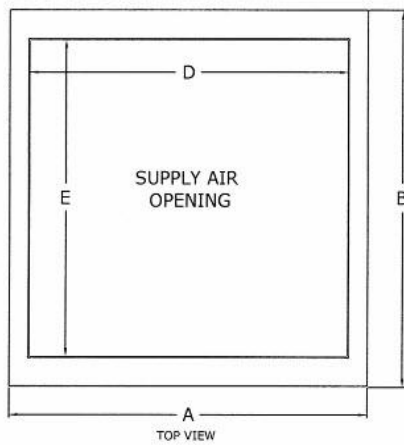
\* Adjust cooling CFM to match condenser requirements

### Features

**High Efficiency Air Handler, Fully Modulating, 3 Stage or Single Stage Heating, Single or 2 Stage Cooling, Multi Position Installation, Hydronic Heating and DX cooling Applications, Variable Speed Constant CFM Blower, Independent Heating and Cooling CFM Adjustment, Low Continuous Fan, DHW Priority Option, Dry Contacts and Switched 24V, Front or Rear Piping Connections, Easy installation and Servicing, Bottom or Side Return, Compact Size, Comprehensive Warranty.**



PHYSICAL DATA - INCHES											
Model	Overall Dimensions			Supply Opening		Side Return				Piping Location	
	W x D x H			W x D		F	G	H	I	J	K
	A	B	C	D	E						
ES50LVP	14	21	29	11.8	17.8	18.3	14.3	1.4	2	2.8	2.4
ES90LVP	21	21	29	18.8	17.8	18.3	14.3	1.4	2	2.8	2.4
ES120LVP	24	21	29	21.8	17.8	18.3	14.3	1.4	2	2.8	2.4



**ES50 Bottom Return Opening Knock Out 12" x 18"**  
**ES90 Bottom Return Opening Knock Out 19" x 18"**  
**ES120 Bottom Return Opening Knock Out 21" x 18 1/4"**